

BRAVO SNORKEL



MERCEDES SPRINTER

VARIANT: W907 / 910 (2021 - On.)

ENGINE: 2.0

REF: SMSV

FITMENT SIDE: Left

LINEAR LOW DENSITY POLYETHYLENE RESINE



LL 8446 is a linear low density butene copolymer designed to offer excellent processability, whiteness, and fast grinding rate. This UV stabilized resin is ideally suited for applications that require excellent dimensional control and low warpage.

PROPERTIES

Additive

Long Term UV-8 Stabilizer

Density

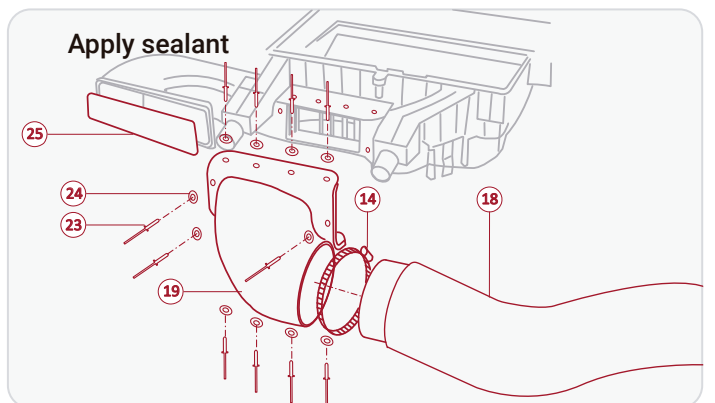
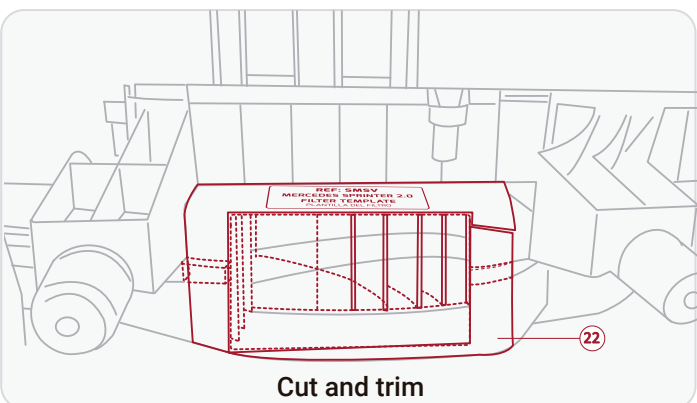
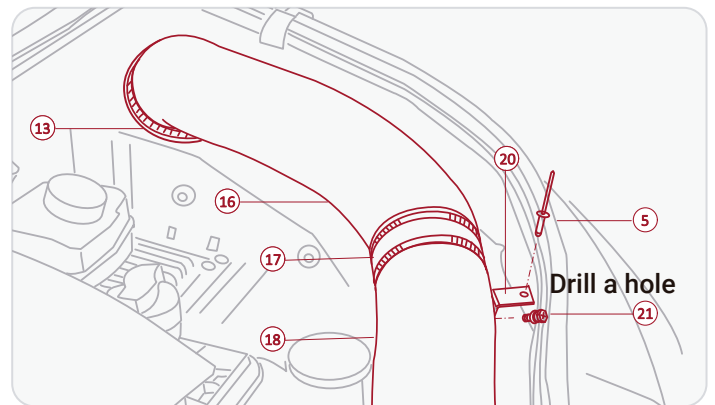
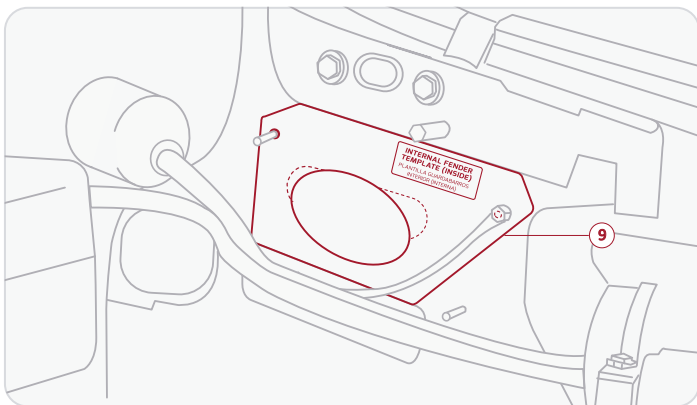
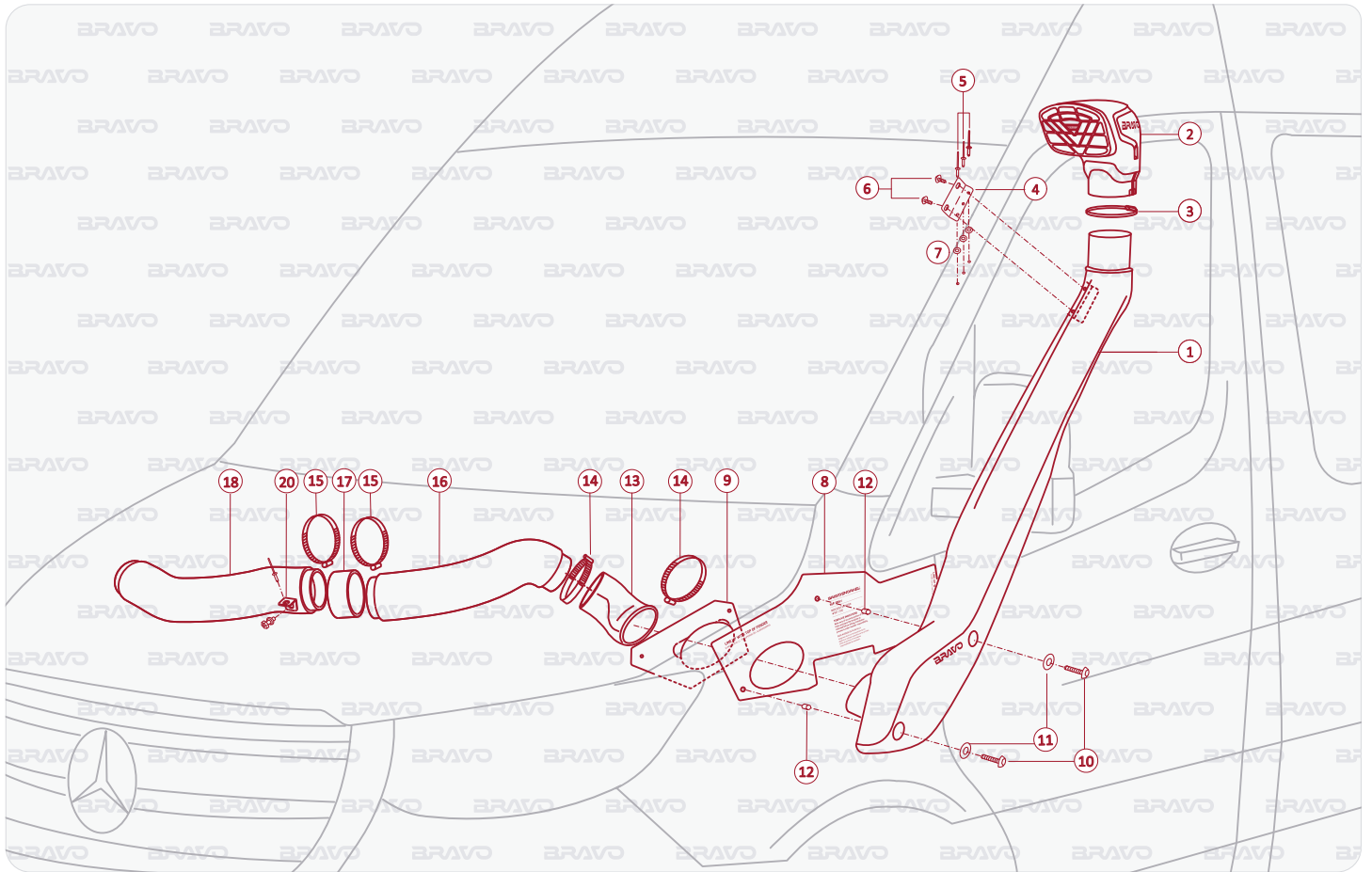
0.936 g/cm³ (Based on ISO 1183)

Melt Index (190°/2.16 Kg)

5.0 g/10min (Based on ISO 1183)

PART	DESCRIPTION	QTY
1	Snorkel body	x1
2	Snorkel head 89 mm / 3,5"	x1
3	Black clamp	x1
4	Bracket	x1
5	Rivet 4,8 x 12 mm	x4
6	Allen bolt M6 x 12 mm	x3
7	Rubber washer M5 x 14 mm	x3
8	Fender template	x1
9	Inner template	x1
10	Allen bolt M6 x 30 mm	x2
11	Washer M6 x 20 mm	x2
12	Rivnut M6 x 14 mm	x2
13	Rubber duct connecting	x1

PART	DESCRIPTION	QTY
14	Clamp 90 - 110 mm	x3
15	Clamp 80 - 100 mm	x2
16	PE duct connecting	x1
17	Rubber hose 89mm ID x 40 mm	x1
18	PE duct connecting	x1
19	Rubber duct connecting	x1
20	Metal bracket	x1
21	SEMS bolt	x1
22	Cutting filter template	x1
23	Waterproof rivet 4,8 x 16 mm	x11
24	Washer M5 x 15 mm	x11
25	Air inlet cap	x1



Installation process is under installer's responsibility.